

**Dihedral Brace
3/32 Music Wire**

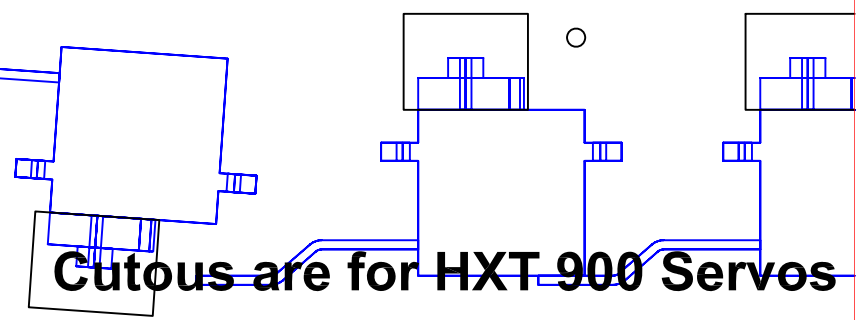


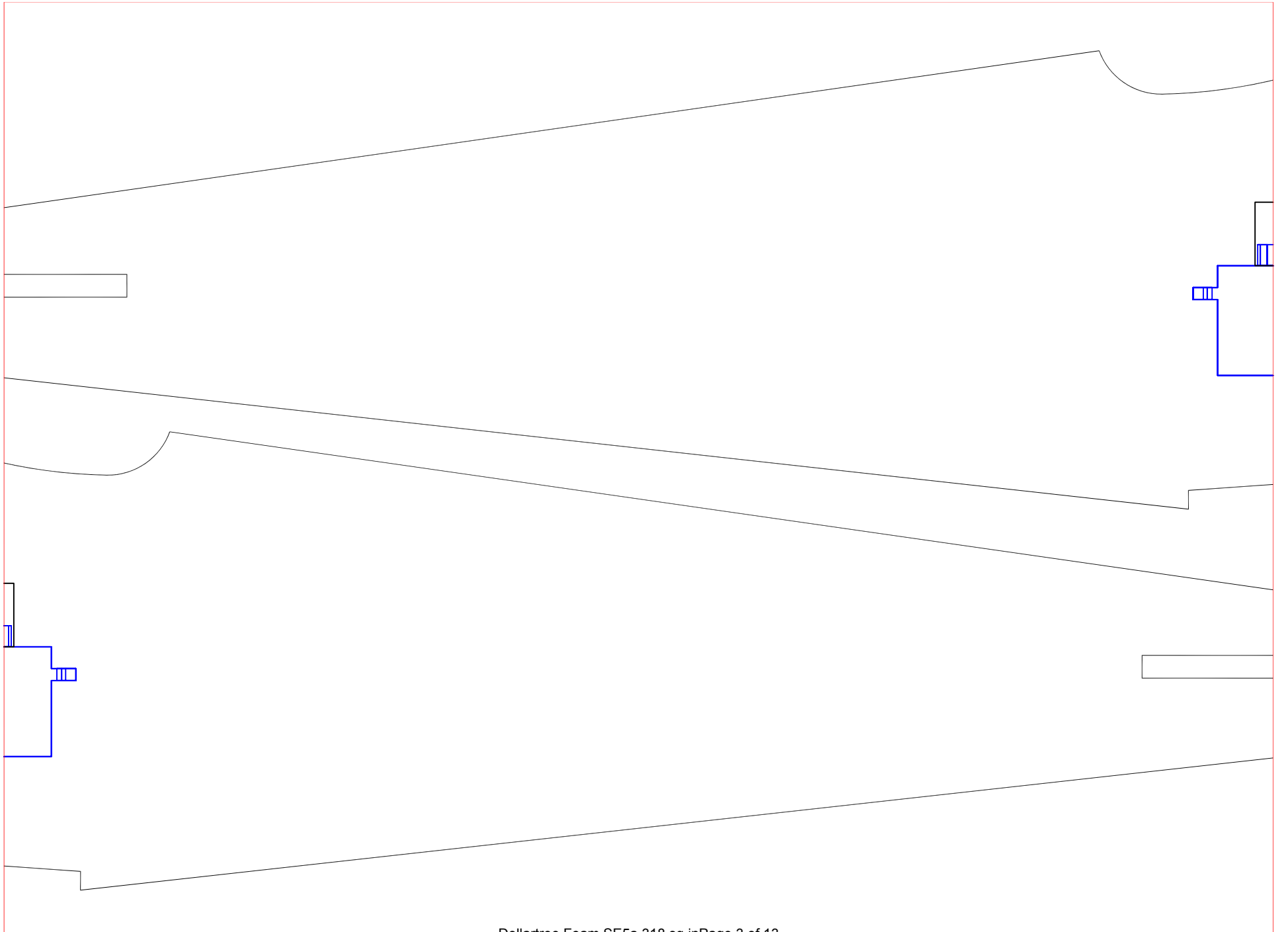
Make 4

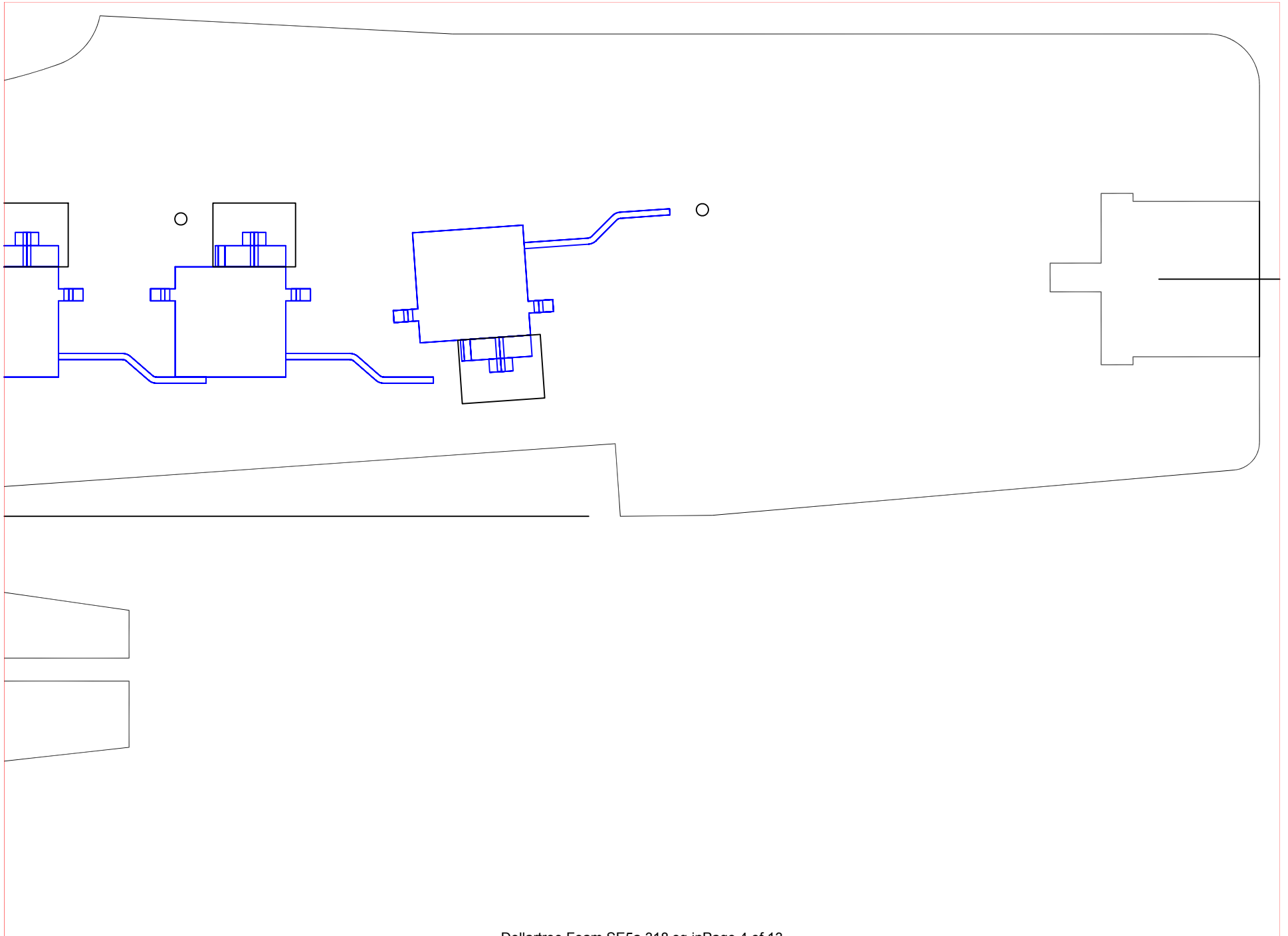
2 locations for cabane struts

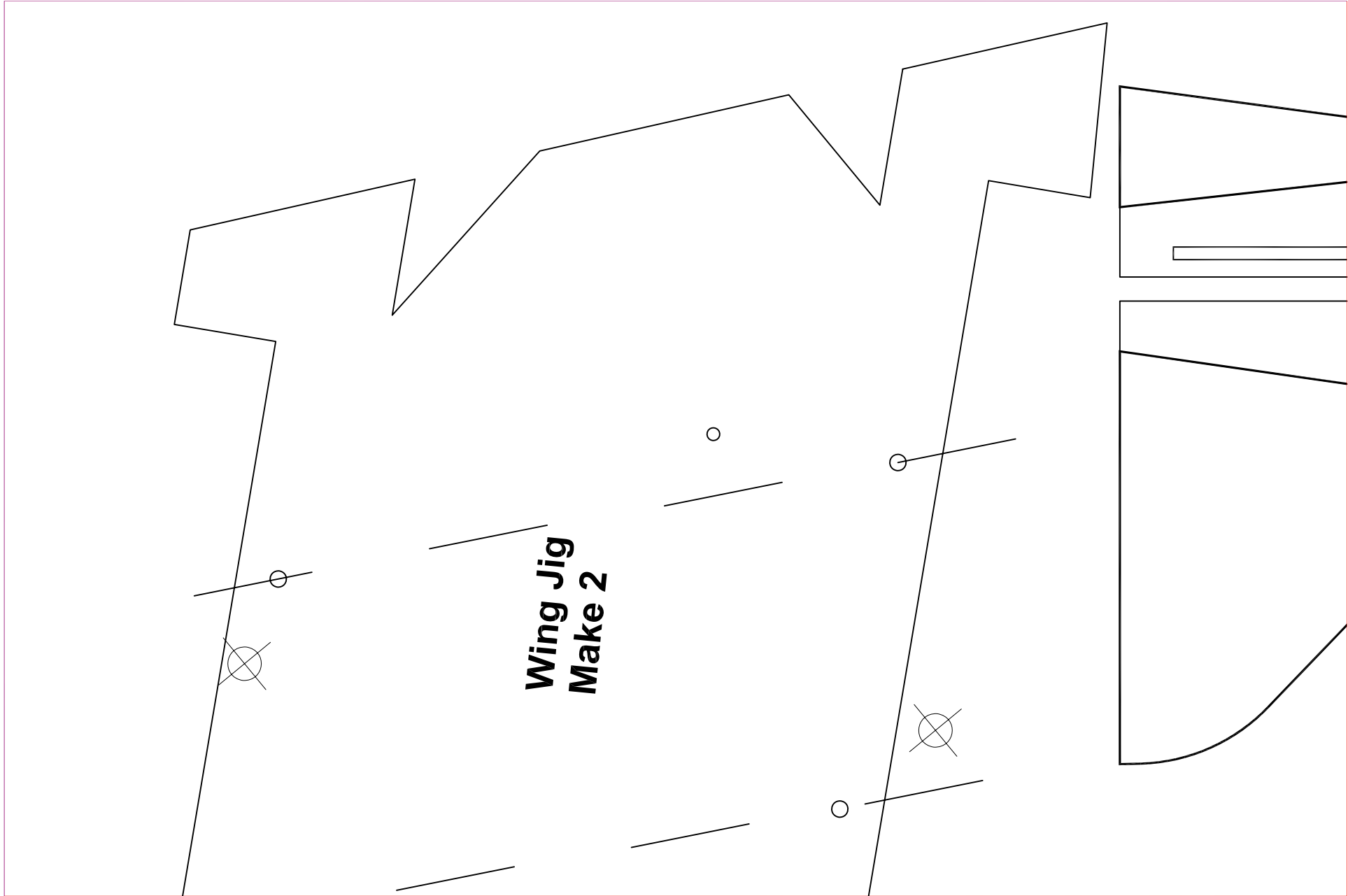


Cutouts are for HXT 900 Servos

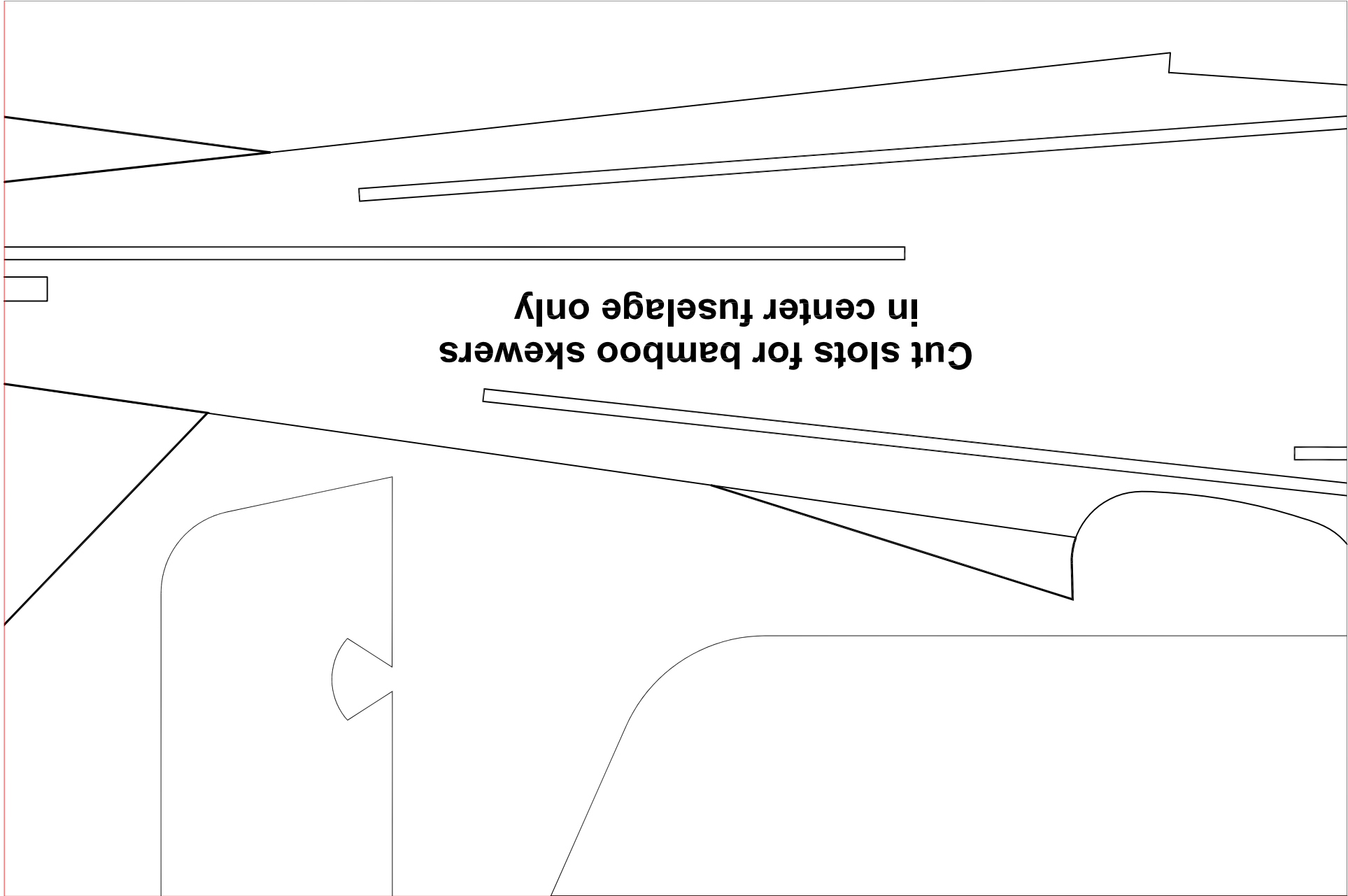




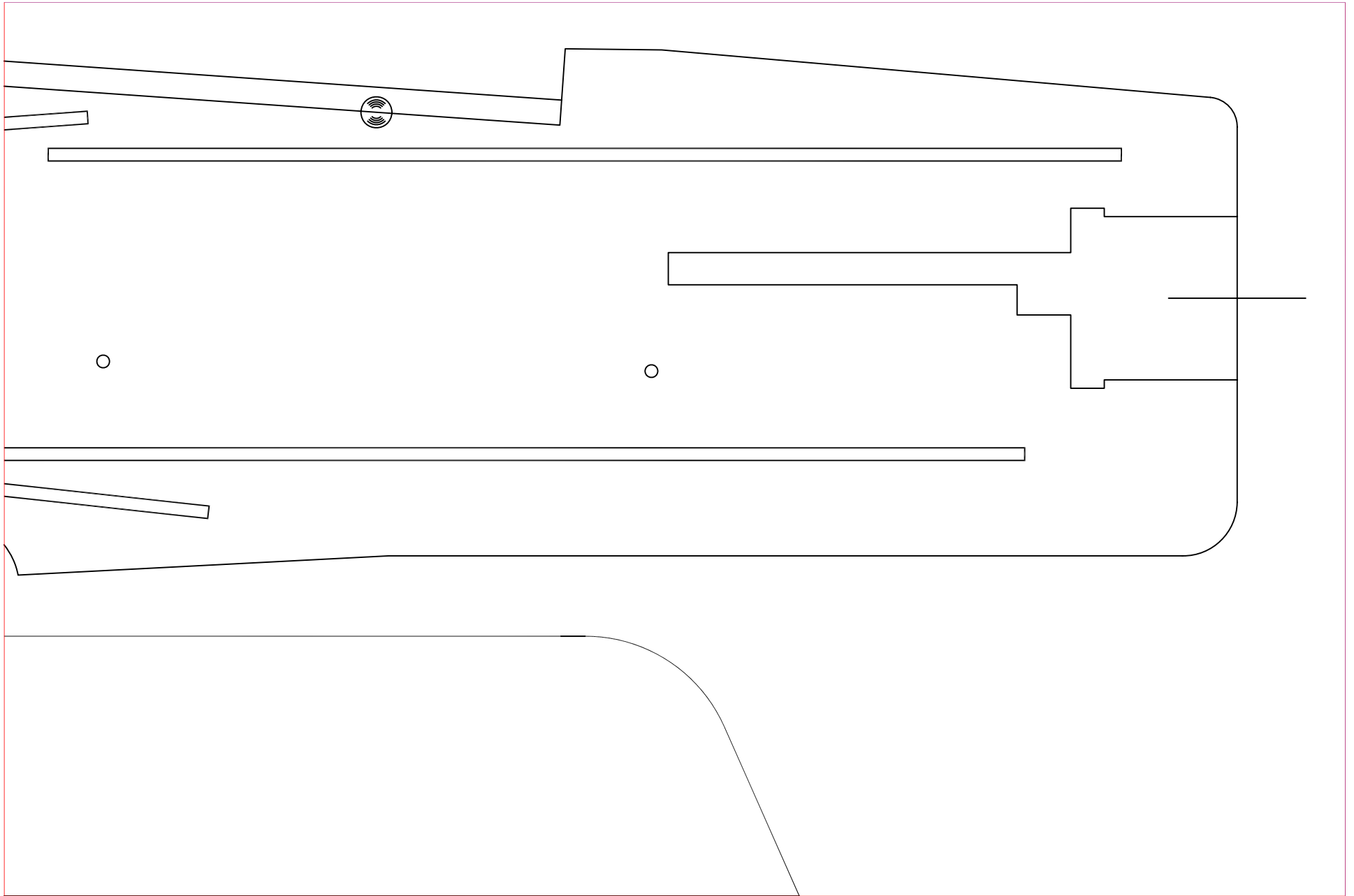


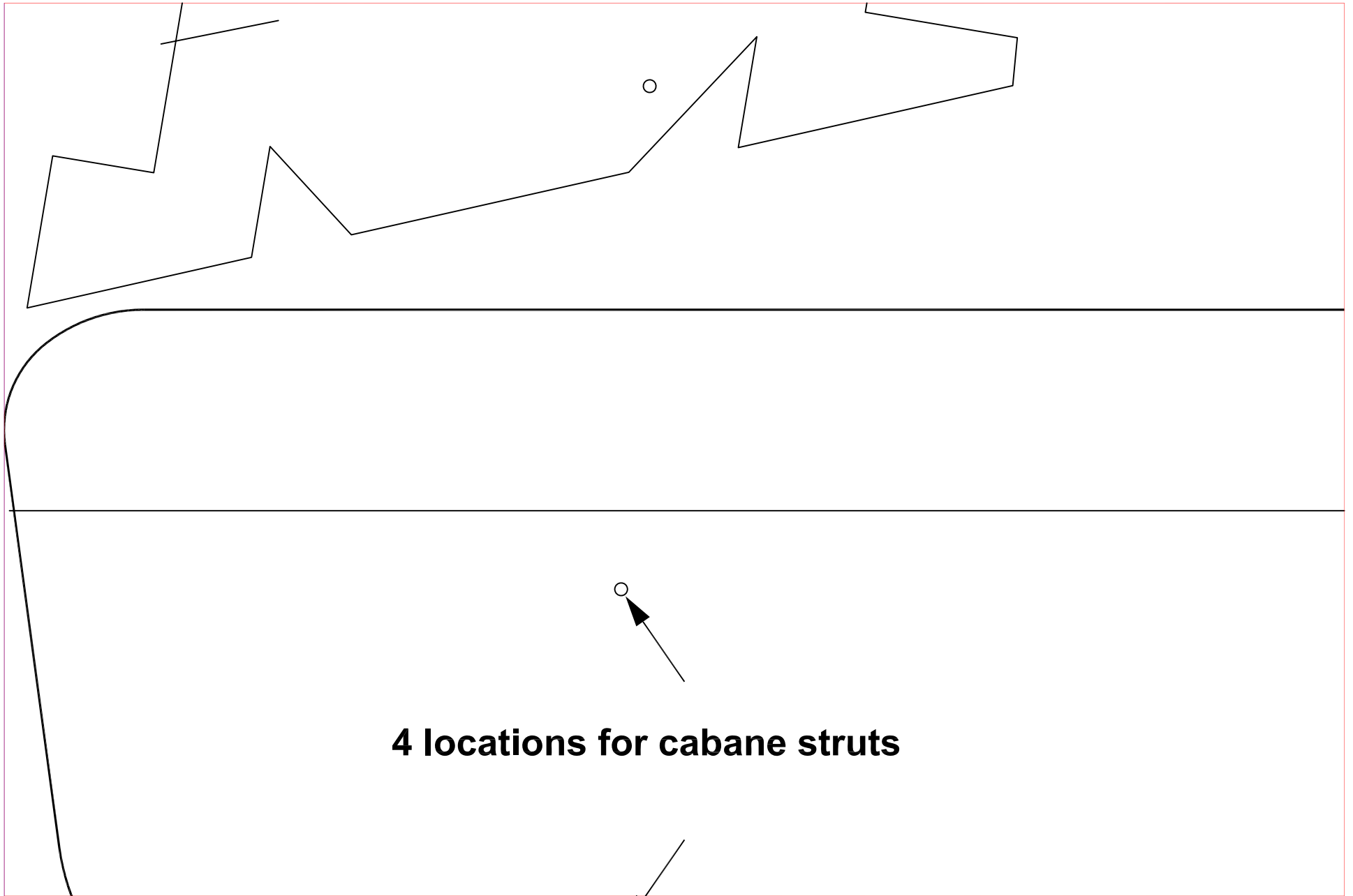


**Wing Jig
Make 2**

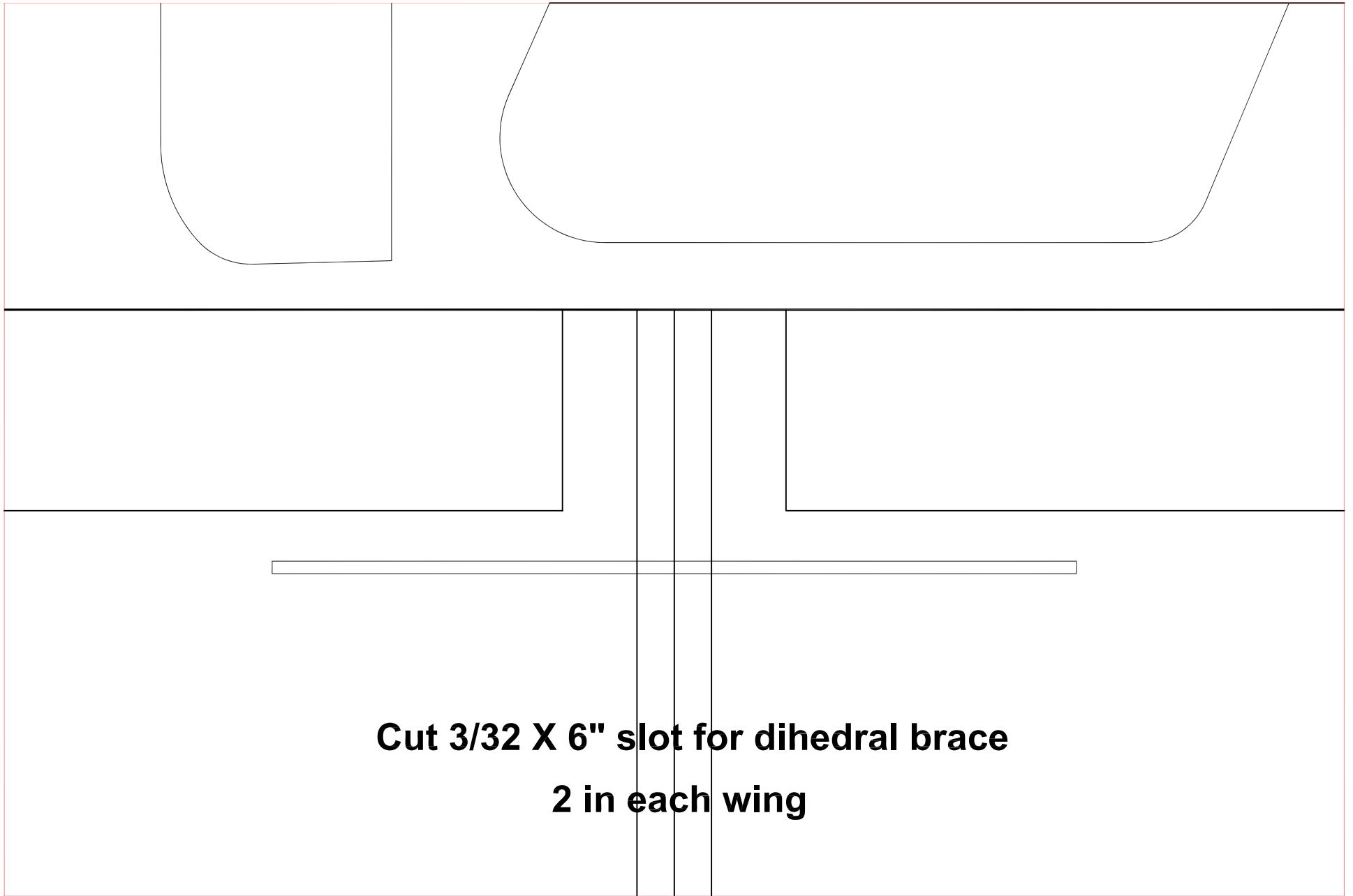


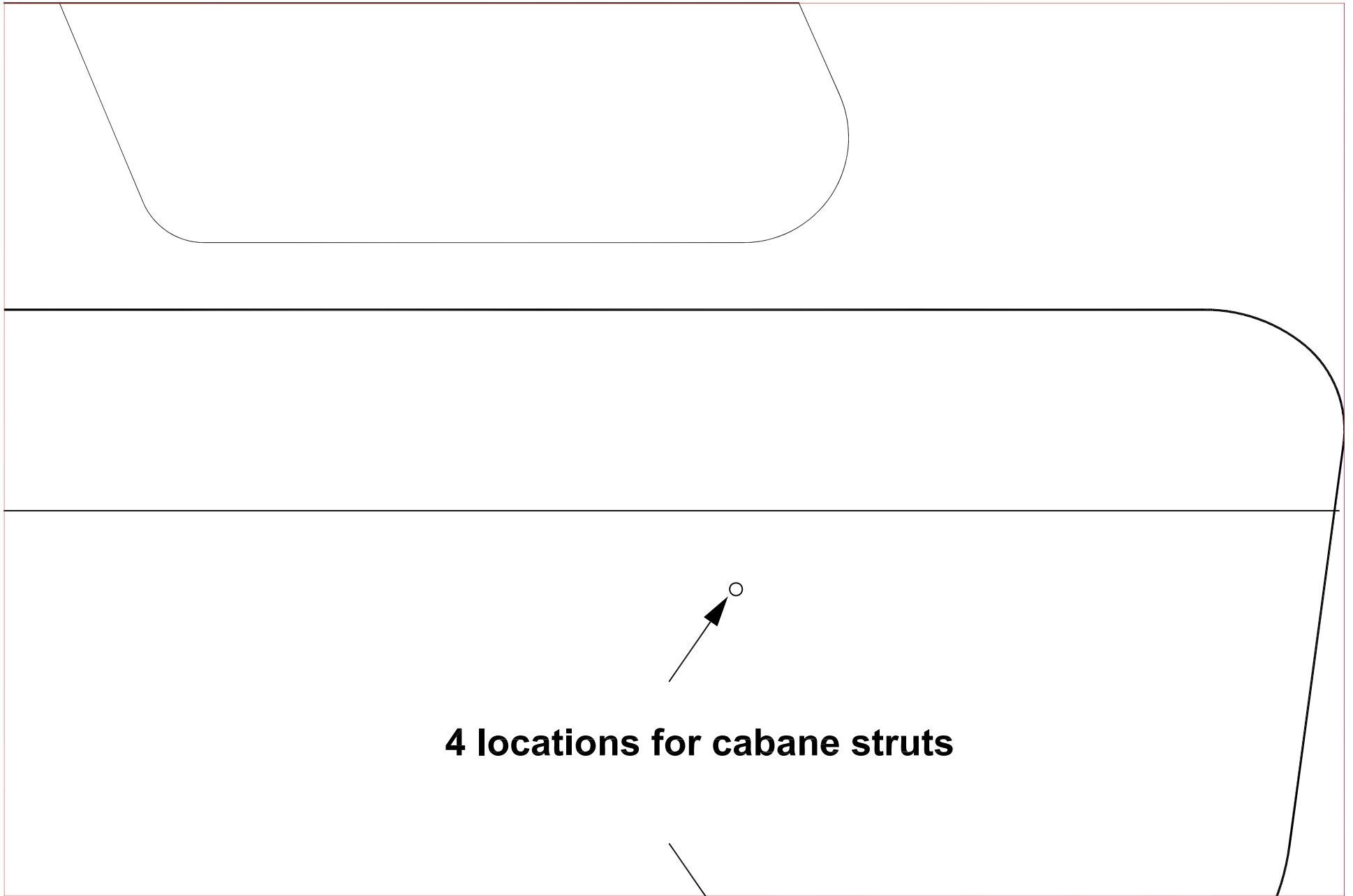
**Cut slots for bamboo skewers
in center fuselage only**



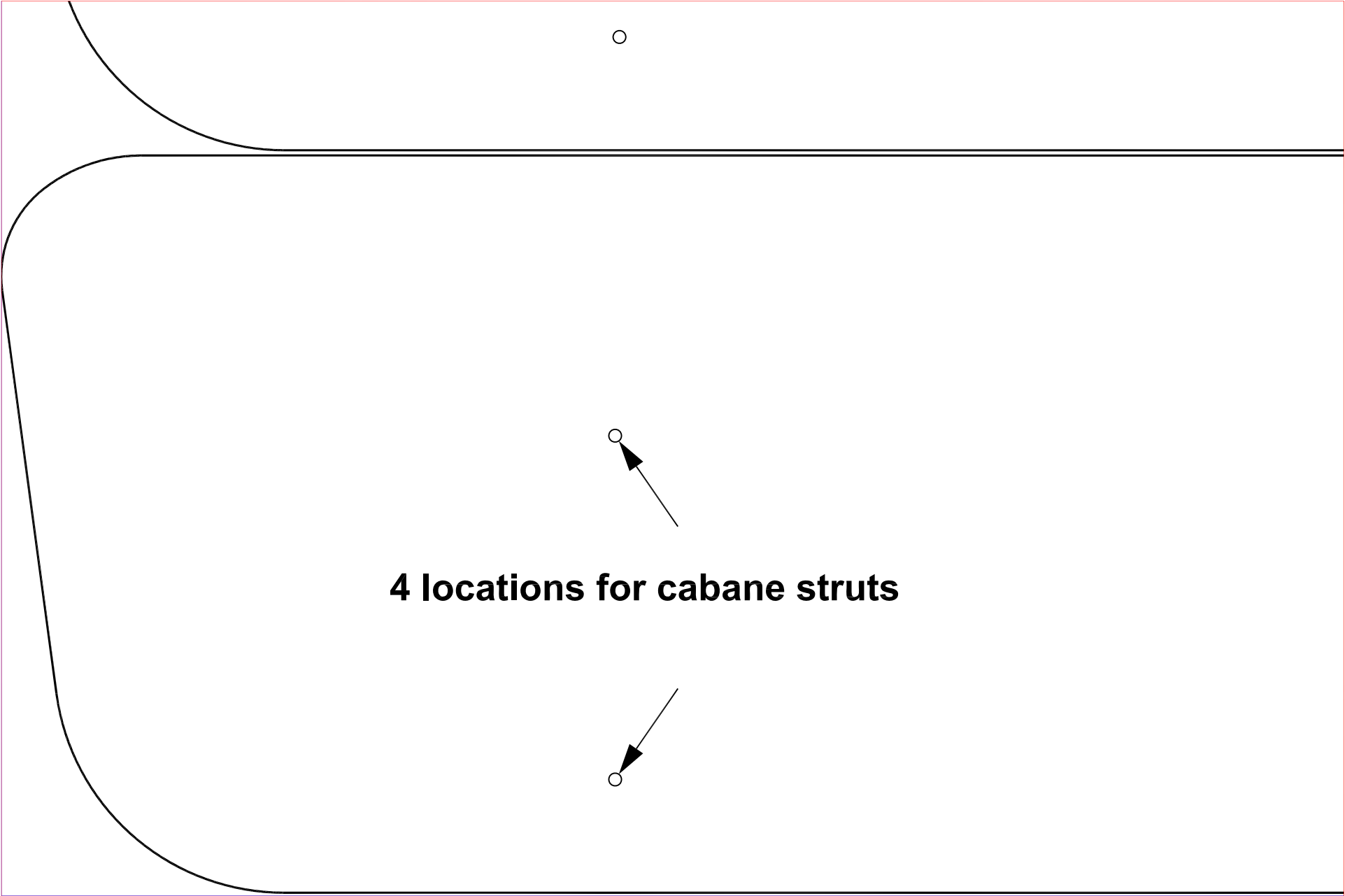


4 locations for cabane struts

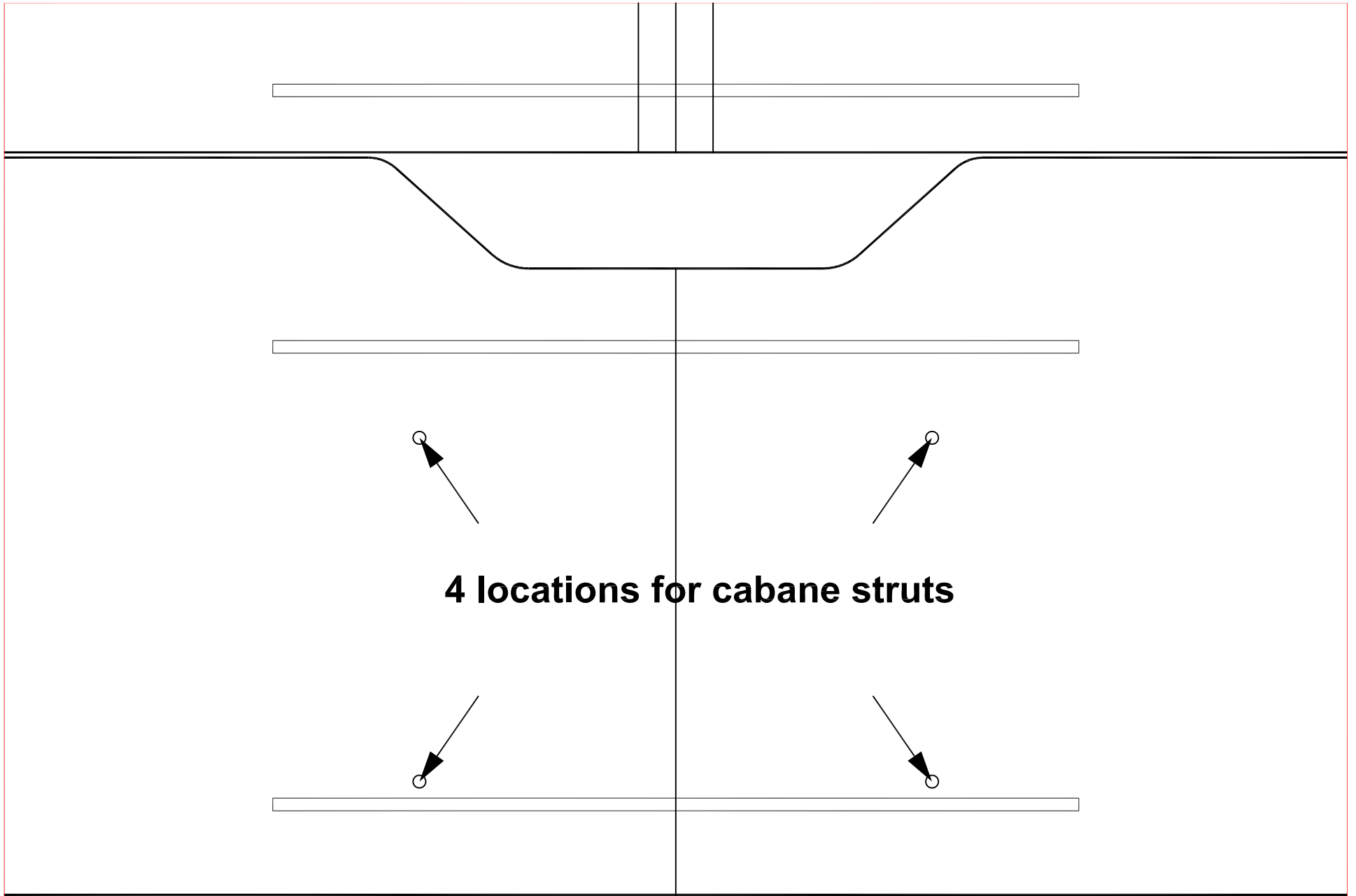




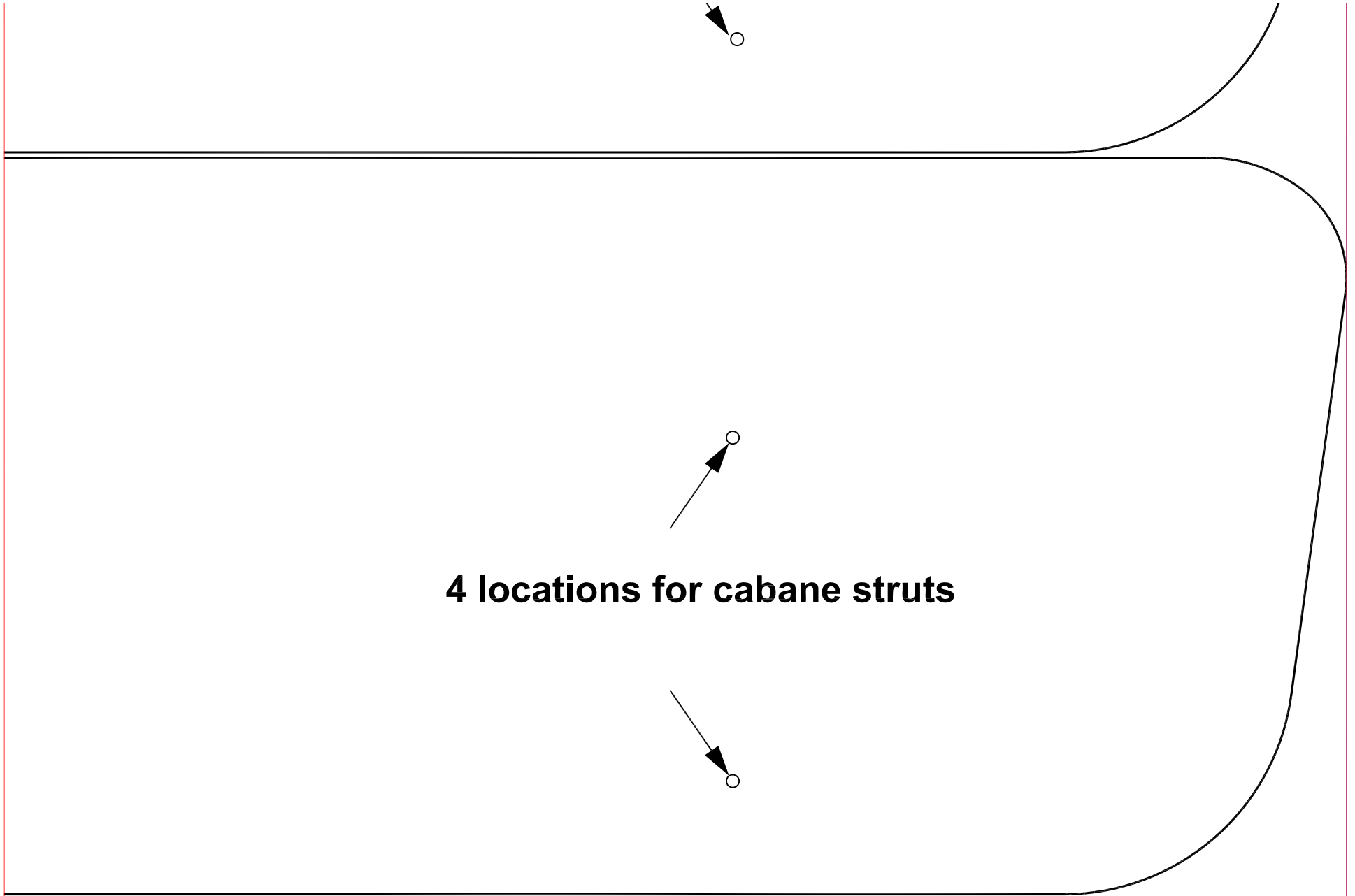
4 locations for cabane struts



4 locations for cabane struts



4 locations for cabane struts



4 locations for cabane struts